

TB



TB



25 ▶ 40 HP



1100 ▶ 1550



30 mm



30 mm

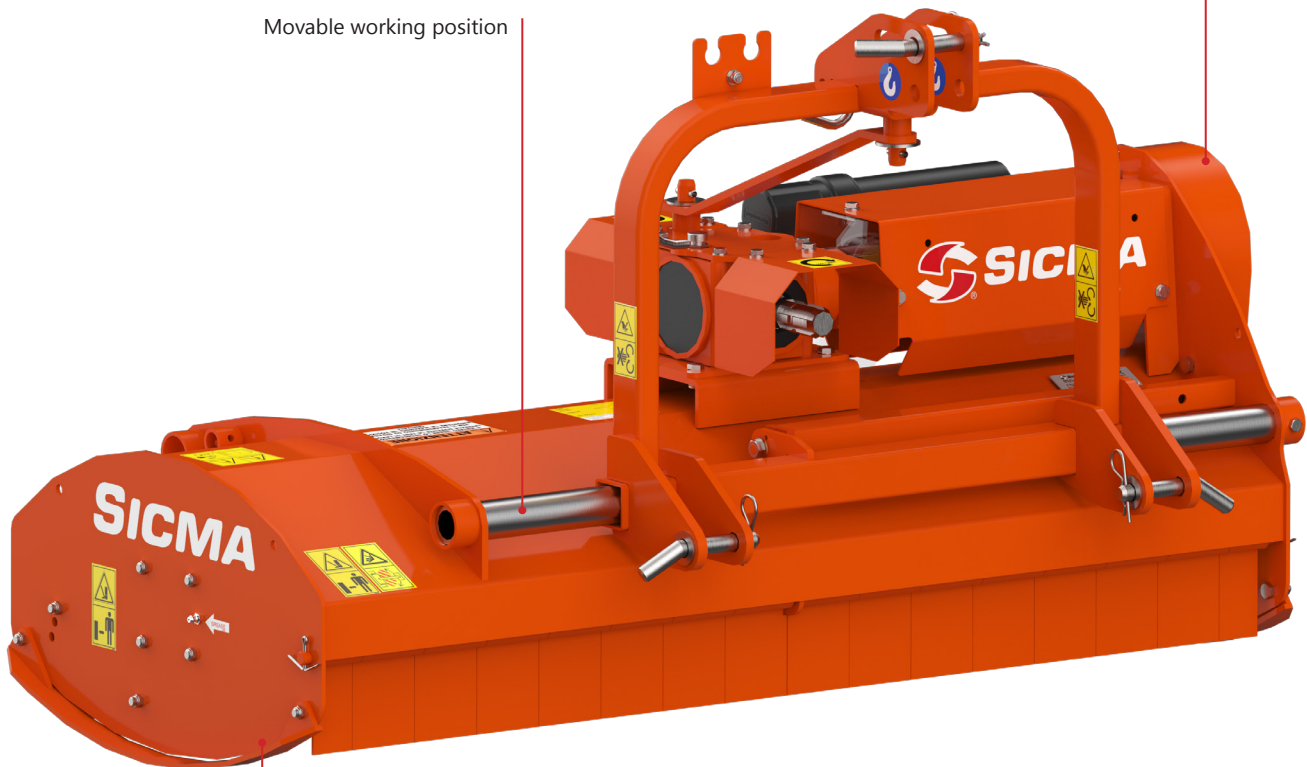


Light

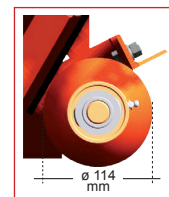
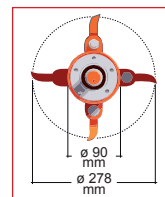
The TB is the lightest among the reversible shredders, suitable for tractors with a power range of between 25 and 40 HP. It can be fitted with both knives and smooth hammers with widths between 110 and 155 cm.

Transmission with V-belts and spring-loaded belt tensioner.

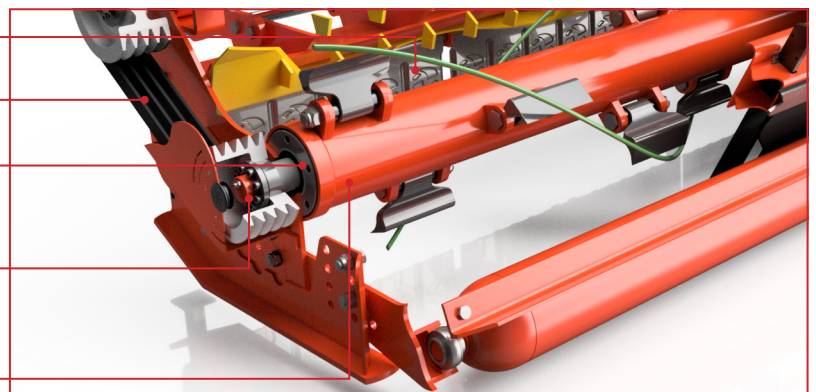
Movable working position



Side skirts



- Object launch protection blades
- Transmission with V-belts and manual belt tensioner system
- Rotor supports with high reliability bearings equipped with NILOS lubricant seals
- High resistance self-centring pulley shrink discs
- Helical shaft





Universal shaft
(Eurocardan) size 4







Gearbox made by SICMA, with
double Harrow take-off and
integrated freewheel



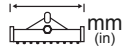





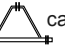


TECHNICAL DATA

Reducer speed:

 540 rpm	 2080 rpm	 1000 rpm	 1923 rpm
---	--	--	--

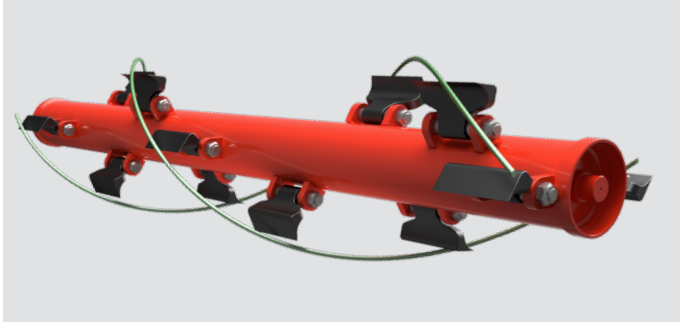
Models and Features:

	 HP	 mm (in)	 mm (in)	 mm (in)	 kg (lbs)	 nr.	 nr.	 nr.	 cat.
TB 110	25 ▶ 40	1100 (43")	1220 (48")	300 (12")	169 (372)	52	26	3	1
TB 125	25 ▶ 40	1250 (49")	1380 (54")	300 (12")	184 (405)	60	30	3	1
TB 140	25 ▶ 40	1400 (60")	1530 (60")	300 (12")	199 (438)	68	34	3	1
TB 155	25 ▶ 40	1550 (61")	1681 (66")	300 (12")	214 (471)	76	38	3	1

ROTOR AND TOOL VERSIONS

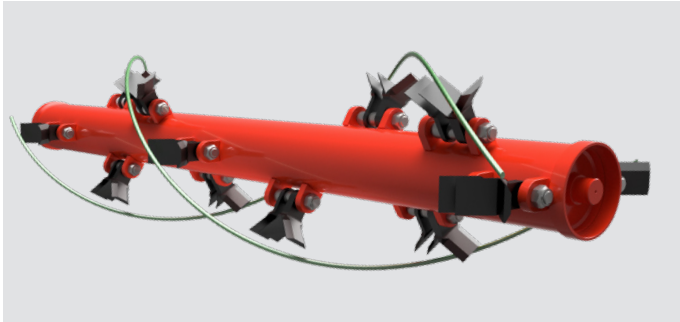
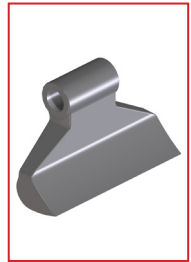
The perfect operation of the shredder largely depends on the rotor, an essential component of a high-performance machine, as its rotation allows the tools to shred grass or pruning residues. The most important

characteristics of the rotor (excluding the width as bulk and weight) are undoubtedly the thickness of the steel used and the diameter.



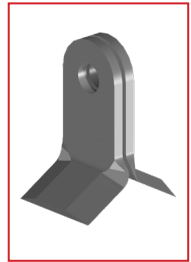
HELICOIDAL SMOOTH HAMMERS

For grass, shrubs, lawn maintenance; vines, small-sized pruning; pruning of woody residue from vineyards and olive groves.

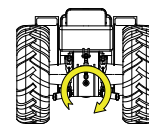


HELICOIDAL KNIVES

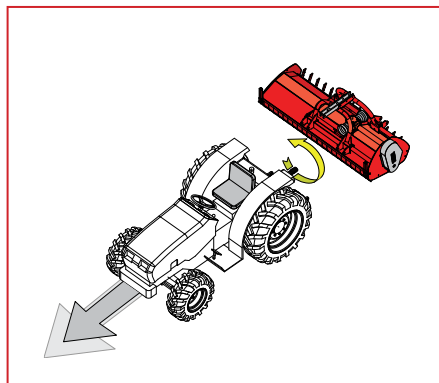
For grass, shrubs, lawn maintenance.



CONFIGURATIONS

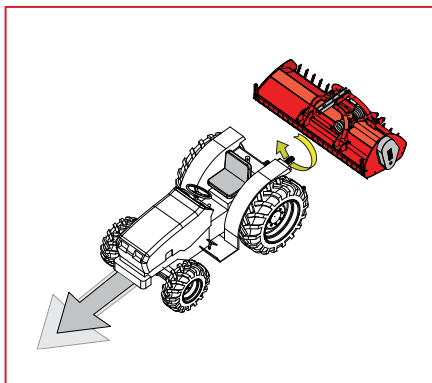


REAR VIEW
TRACTOR



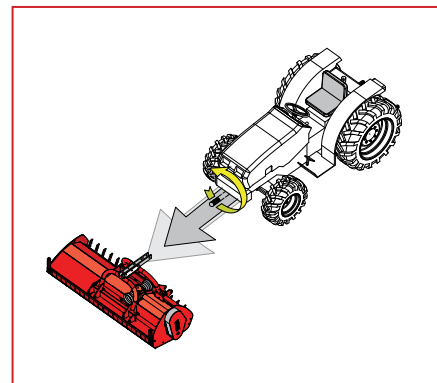
CONFIGURATION 1.

Flail mower: rear
Tractor PTO rotation: CLOCKWISE (standard)
Travel direction: front



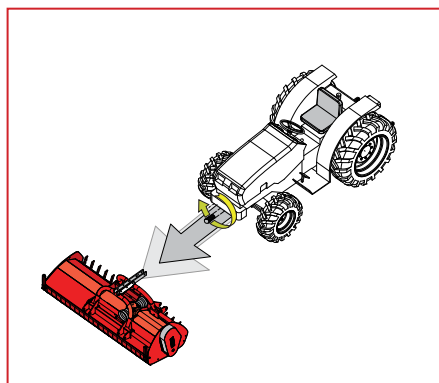
CONFIGURATION 2.

Flail mower: rear
Tractor PTO rotation: ANTI-CLOCKWISE
Travel direction: front



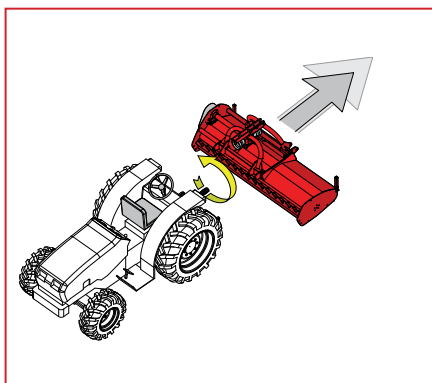
CONFIGURATION 3.

Flail mower: front
Tractor PTO rotation: ANTI-CLOCKWISE (standard)
Travel direction: front



CONFIGURATION 4.

Flail mower: front
Tractor PTO rotation: CLOCKWISE (standard)
Travel direction: front



CONFIGURATION 5.

Flail mower: rear (with wheels)
Tractor PTO rotation: CLOCKWISE (standard)
Travel direction: rear

ACCESSORIES



Double arc with gearbox with double pto (2rl)

It allows the reversible flail mower to be attached both on the front and rear of the tractor without the need for any disassembly



Hydraulic cylinder for shifting

It is used to move the flail mower sideways with a jack without getting off the tractor



Operation at 1000 rpm

Possibility to equip the machine with belts and pulleys for operation at 1000 rpm



SICMA

*The experience that cultivates
the future of your land*

**SICMA S.p.a. is an Italian company and a leader in
the professional agricultural machinery sector.
We design and create cutting-edge solutions for
you, the farmer of tomorrow. Innovation and
passion at your service.**



MIGLIANICO | ABRUZZO | ITALY

Sicma SpA

Contrada Cerreto, 39
66010 Miglianico (CH)
Tel. +39 0871 95841

info@sicma.it - www.sicma.it

